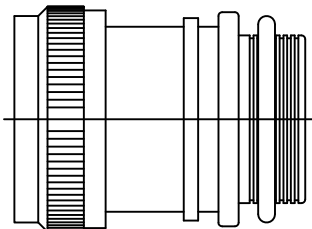


REVISIONS			
LTR	DESCRIPTION	DATE	APPROVED
J	REVISED PER ECO-12-021161	12.04.12	G.WELLS
K	REVISED PER ECO-15-002200	11.02.15	H.SMITH




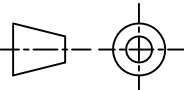
CODE 40 TINEL-LOCK ADAPTER

NOTES:

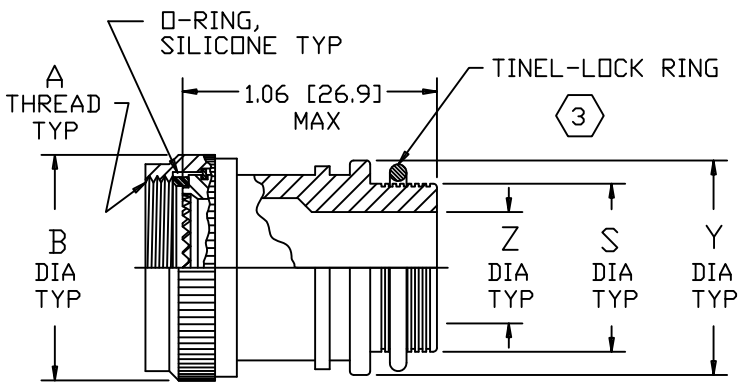
1. THIS PRODUCT IS DESIGNED TO TERMINATE A BRAIDED CABLE SHIELD AND A HEAT SHRINKABLE LIPPED BOOT TO A CONNECTOR.
2. SEE CH00-0250-008 FOR ORDERING INFORMATION, MODIFICATIONS AND ADDITIONAL DIMENSIONS.
- ③ SEE DRAWING "TR" FOR DETAILS ON TINEL-LOCK RING. RINGS ARE DESIGNED TO BE HEATED ELECTRICALLY. ALL RINGS ARE MARKED WITH THERMOCHROMIC PAINT WHICH CHANGES COLOR WHEN INSTALLATION TEMPERATURE IS REACHED.
4. ADAPTER TO BE PERMANENTLY MARKED WITH CODE IDENT. NO. AND PART NO. LESS RING DESIGNATOR (E.G.: 06090-TXR40AB00-1206). RINGS SHALL BEAR NO MARKING.
- ⑤ FOR LARGER ENTRY SIZES, A 2 PIECE ADAPTER (TYPE II) IS SUPPLIED.
- ⑥ ADAPTER MATES TO MIL-C-38999, SERIES III AND IV, CLASS C, F, K, AND W, D38999/20, /24, /26, /40, /46, /47 CONNECTORS, AND WHEN SO MATED SHALL PROVIDE A WATER-TIGHT SEAL MEETING THE REQUIREMENTS OF MIL-C-85049, PAR. 3.5.7.
- ⑦ THESE DIMENSIONS APPLY IF A SELF-LOCKING COUPLING NUT IS USED. (MOD. CODE "S").
- ⑧ THESE DIMENSIONS APPLY IF AN ADAPTER MATERIAL IS STAINLESS STEEL.

©2015 Tyco Electronics Corporation. All rights reserved.

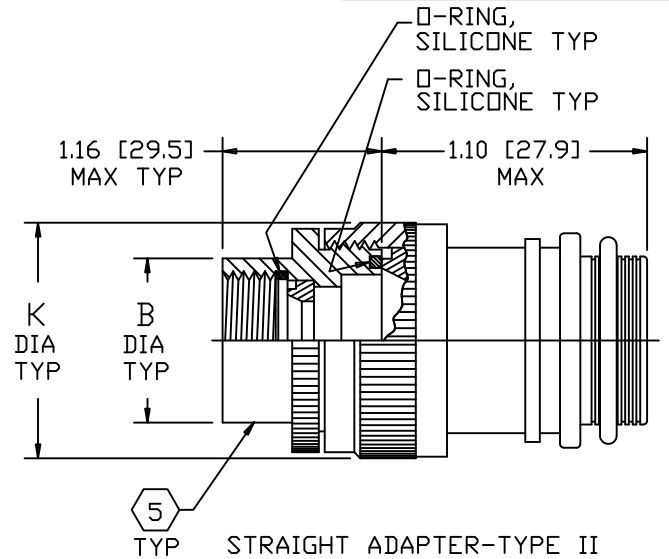
Raychem Adapters
CUSTOMER DRAWING

UNLESS OTHERWISE SPECIFIED DIMENSIONS ARE IN INCHES. METRIC DIMENSIONS ARE IN BRACKETS.	DRAWN R. RAMIREZ	DATE 03-18-93		TE Connectivity		
	CHECKED	DATE				
TE CONNECTIVITY RESERVES THE RIGHT TO AMEND THIS DRAWING AT ANY TIME. USERS SHOULD EVALUATE THE SUITABILITY OF THE PRODUCT FOR THEIR APPLICATION	APPROVED W. C. GAY	DATE 05-19-93	TITLE TINEL-LOCK™ ADAPTER			
	APPROVED G. WELLS	DATE 11-15-12				
DECIMAL TOLERANCES .XXX ± 0.005 [0.13 mm] .XX ± 0.01 [0.25 mm] .X ± 0.1 [0.50 mm]	THIRD ANGLE PROJECTION		SIZE A	CODE IDENT. NO. 06090	DWG. NO. TXR40	REV K
ANGLE TOLERANCE .X ± 1 DEG.			DO NOT SCALE THIS DWG		SHEET 1 OF 3	

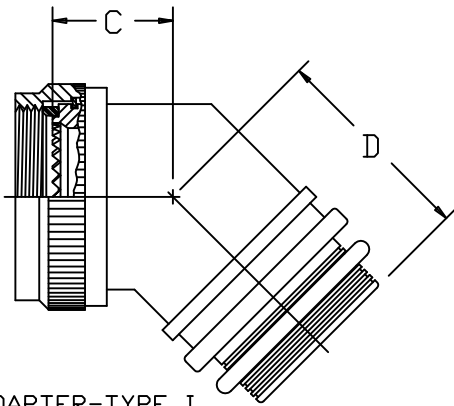
SEE SHEET 1 FOR REVISION



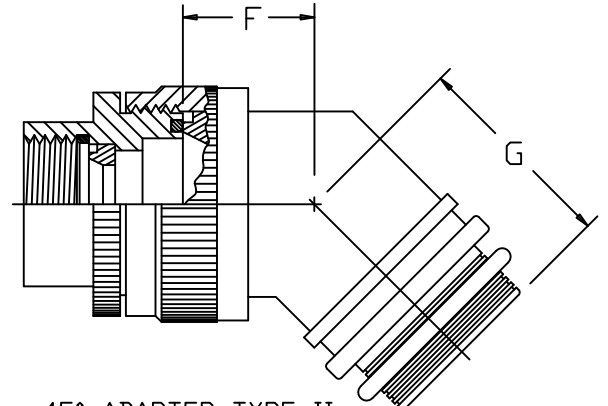
STRAIGHT ADAPTER-TYPE I



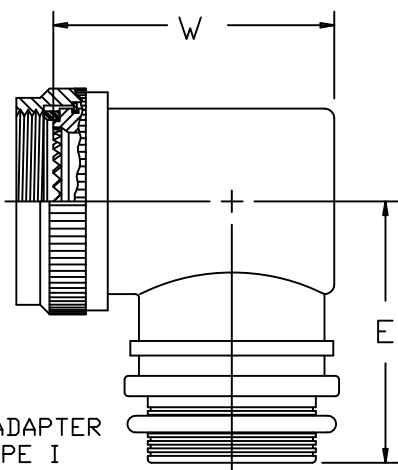
STRAIGHT ADAPTER-TYPE II



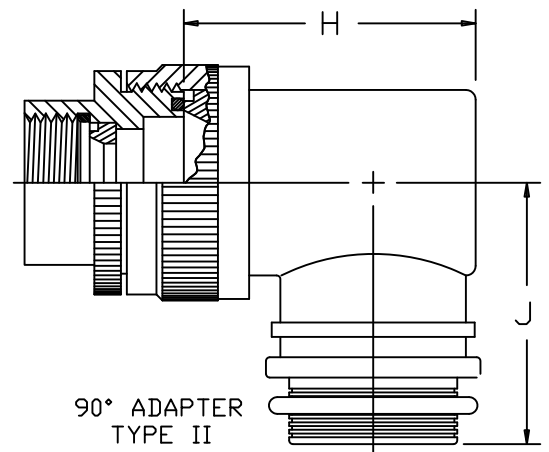
45° ADAPTER-TYPE I



45° ADAPTER-TYPE II



90° ADAPTER TYPE I



90° ADAPTER TYPE II

Raychem Adapters
CUSTOMER DRAWING

SIZE	CODE IDENT. NO.	DWG. NO.	REV
A	06090	TXR40	K
DO NOT SCALE THIS DWG		CAD NAME	SHEET 2 OF 3
		TXR40_2_K	

TABLE I											
ORDER NO.	SHELL SIZE 6		MAX ENTRY SIZE 5 TYPE I	A METRIC THD CLASS 6H	B DIA MAX	B DIA MAX 7	C MAX	D MAX	E MAX	W MAX	W MAX 8
	COM'L	MIL									
08	9	A	04	M12 X 1.0	.750 [19.1]	.969 [24.6]	.82 [20.8]	1.075 [27.3]	1.10 [27.9]	.85 [21.6]	.85 [21.7]
10	11	B	07	M15 X 1.0	.850 [21.6]	1.063 [27.0]	.84 [21.3]	1.102 [28.0]	1.20 [30.5]	.97 [24.6]	.97 [24.8]
12	13	C	08	M18 X 1.0	1.000 [25.4]	1.219 [31.0]	.87 [22.1]	1.122 [28.5]	1.26 [32.0]	1.10 [27.9]	1.13 [28.8]
14	15	D	10	M22 X 1.0	1.150 [29.2]	1.406 [35.7]	.89 [22.6]	1.161 [29.5]	1.34 [34.0]	1.24 [31.5]	1.24 [31.6]
16	17	E	12	M25 X 1.0	1.280 [32.5]	1.469 [37.3]	.92 [23.4]	1.189 [30.2]	1.40 [35.6]	1.36 [34.5]	1.36 [34.7]
18	19	F	14	M28 X 1.0	1.400 [35.6]	1.594 [40.5]	.95 [24.1]	1.220 [31.0]	1.45 [36.8]	1.41 [35.8]	1.53 [39.0]
20	21	G	16	M31 X 1.0	1.500 [38.1]	1.750 [44.5]	.97 [24.6]	1.236 [31.4]	1.51 [38.4]	1.53 [38.9]	1.62 [41.2]
22	23	H	18	M34 X 1.0	1.650 [41.9]	1.844 [46.8]	1.00 [25.4]	1.244 [31.6]	1.57 [39.9]	1.67 [42.5]	1.74 [44.2]
24	25	J	20	M37 X 1.0	1.750 [44.5]	2.031 [51.6]	1.02 [25.9]	1.283 [32.6]	1.67 [42.4]	1.79 [45.5]	1.84 [46.9]

TABLE II									
ENTRY SIZE	Z +.010 -.020	S DIA	Y ±.015 [±0.38]	F MAX	G MAX	H MAX	J MAX	K MAX	K MAX 7
04	.250 [6.35]	.376 [9.56] .370 [9.39]	.550 [13.97]	N/A	N/A	N/A	N/A	N/A	N/A
05	.312 [7.92]	.438 [11.13] .432 [10.97]	.612 [15.54]	.77 [19.6]	1.10 [28.0]	1.19 [30.2]	1.16 [29.5]	.83 [21.0]	.97 [24.6]
06	.375 [9.52]	.501 [12.73] .495 [12.57]	.675 [17.14]	.77 [19.6]	1.10 [28.0]	1.19 [30.2]	1.16 [29.5]	.83 [21.0]	.97 [24.6]
07	.437 [11.09]	.563 [14.31] .556 [14.12]	.737 [18.71]	.80 [20.3]	1.10 [28.0]	1.38 [35.1]	1.22 [31.0]	.92 [23.4]	.97 [24.6]
08	.500 [12.70]	.626 [15.91] .619 [15.72]	.800 [20.32]	.80 [20.3]	1.12 [28.5]	1.38 [35.1]	1.22 [31.0]	.96 [24.5]	1.11 [28.3]
10	.625 [15.87]	.752 [19.11] .742 [18.84]	.925 [23.49]	.84 [21.3]	1.16 [29.5]	1.51 [38.4]	1.35 [34.3]	1.18 [30.0]	1.28 [32.4]
12	.750 [19.05]	.877 [22.28] .867 [22.02]	1.050 [26.67]	.88 [22.4]	1.19 [30.2]	1.63 [41.4]	1.40 [35.6]	1.35 [34.3]	1.40 [35.6]
14	.875 [22.23]	1.002 [25.46] .991 [25.17]	1.175 [29.84]	.88 [22.4]	1.22 [31.0]	1.78 [45.2]	1.46 [37.1]	1.41 [35.8]	1.51 [38.5]
16	1.000 [25.40]	1.127 [28.63] 1.116 [28.34]	1.300 [33.02]	.93 [23.6]	1.24 [31.4]	1.88 [47.8]	1.53 [38.9]	1.60 [40.6]	1.64 [41.7]
18	1.125 [28.57]	1.252 [31.81] 1.241 [31.52]	1.425 [36.19]	.93 [23.6]	1.25 [31.6]	2.01 [51.1]	1.59 [40.4]	1.66 [42.2]	1.73 [43.9]
20	1.250 [31.75]	1.377 [34.98] 1.366 [34.69]	1.550 [39.37]	.98 [24.9]	1.28 [32.6]	2.13 [54.1]	1.78 [45.2]	2.04 [51.8]	2.04 [51.8]
22	1.375 [34.93]	1.502 [38.15] 1.488 [37.79]	1.675 [42.55]	1.03 [26.2]	1.41 [35.8]	2.29 [58.2]	1.85 [47.0]	2.23 [56.6]	2.23 [56.6]
24	1.500 [38.10]	1.627 [41.33] 1.613 [40.97]	1.800 [45.72]	1.08 [27.2]	1.52 [38.6]	2.42 [61.5]	1.92 [48.8]	2.23 [56.6]	2.23 [56.6]

Raychem Adapters
CUSTOMER DRAWING

SIZE	CODE IDENT. NO.	DWG. NO.	REV
A	06090	TXR40	K
DO NOT SCALE THIS DWG		CAD NAME TXR40_3_K	SHEET 3 OF 3