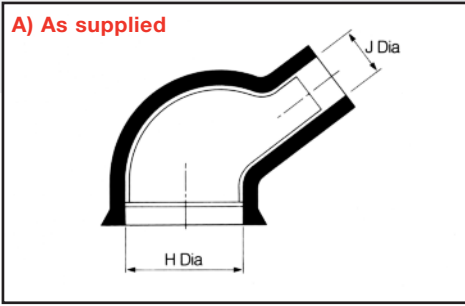


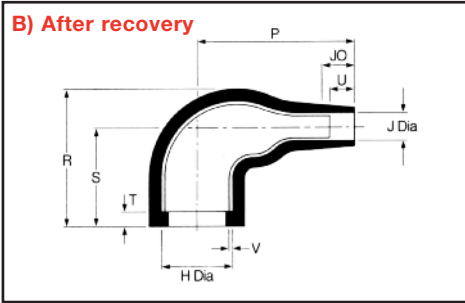
222S121-174

Right angled (90°), lipped, heat-shrinkable boot with built-in integral screen

A) As supplied



B) After recovery



Applications

Ideally suited for harness applications, where high levels of screening are required between the cable and connector.

Materials available

- 3S Semi-rigid screened Polyolefin.
- 25S Fluid resistant screened Elastomer.
- 100S Low fire hazard screened material.

Coatings available

The recommended conductive adhesive to be used with the 222S screened moulded parts is S-1184.



5

Dimensions (all dimensions are in mm)

A) Dimensions as supplied (min)					B) Dimensions after heating recovery (max)								Weight
	H	H	J	J	H	J	P ±10%	R ±10%	S ±10%	T ±10%	U ±10%	JO ±10%	
Material*		-100		-100									
Part Number													
222S121	20.0	14.0	11.0	10.0	10.4	5.0	30.0	25.0	19.0	3.0	10.0	15.0	4.0g
222S132	24.0	20.0	15.0	12.0	14.2	6.0	38.0	28.0	20.0	3.0	10.0	17.0	4.7g
222S142	31.0	26.0	18.0	14.0	18.0	7.2	42.0	31.0	21.0	3.0	10.0	18.0	9.2g
222S152	36.0	32.0	22.0	20.0	22.4	8.5	51.0	38.0	26.0	3.0	12.0	20.0	15.1g
222S163	43.0	38.0	26.0	24.0	28.2	10.0	67.0	45.0	30.0	3.0	20.0	28.0	27.6g
222S174	47.0	41.0	36.0	32.0	35.1	15.8	80.0	54.0	36.0	3.0	20.0	31.0	41.0g

Note: *Dimensions apply to all available materials unless otherwise stated.

Ordering Information

- Standard colour: 0 = Black.
- Size selection: To determine the size of the required moulded part, please refer to table.
- Standard packaging: Moulded parts are individually packaged.
- Ordering description: Specify the product name, size, material and coating required.
- Ordering Example: To fit a 20mm connector, using -25 material in black = **222S142-25S-0**.

Note: For a detailed description on how to construct your moulded part, please refer to the Moulded Parts Numbering Guide. Larger sizes are also available on request, for more information please contact us.